



Discriminator

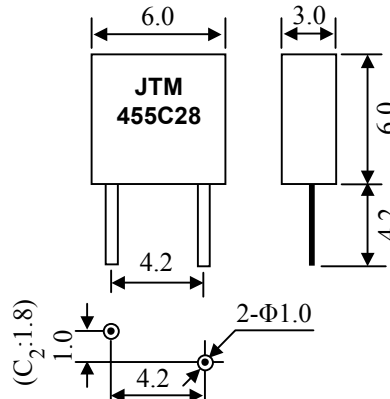
Communication - JTM Ceramic Discriminator / 陶瓷鉴频器

▶ JTM for Communication (Murata CDB/CDBC/CDBM Compatible)

455kHz

JTM Discriminator For Communication consists of wide band piezoelectric resonator. It is ideal for mobile communication equipment due to its small size and light weight. Standard line includes products for a wide range of applications, from cordless telephones to cellular telephones, making non-adjustment and shrinking of the detection circuit possible. Token JTM including features with small in size and lightweight, realize non-adjustment in detection circuit, high sensitivity and stability, wide range of standard products are available for various ICs, operating temperature range:-20°C to +80°C and storage temperature range:-40°C to +85°C.

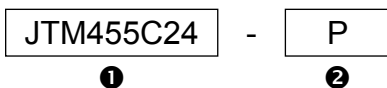
▶ Ceramic JTM Series for Communication Technical Characteristics



| Part Number | Center Frequency (fo)(kHz) | Recovered Audio 3dB BW (kHz)min | Recovered Audio Output (mV)min | Distortion Factor (At fo) (%)max | Applicable IC |
|-------------|----------------------------|---------------------------------|----------------------------------|----------------------------------|---------------|
| JTM455C18 | 455±2 | ±3.0 | 180±40 | 2.0 | MC3371 |
| JTM455C24 | 455±2 | ±4.0 | 100±40 | 2.0 | TA31136 |
| JTM455C28 | 455±2 | ±4.0 | 40±20 | 3.0 | TA31142 |
| JTM455C29 | 455±2 | ±4.0 | 125±30 | 2.5 | NE605 |
| JTM455C32 | 455±2 | ±4.0 | 40±20 | 3.0 | TA31143 |
| JTM455C47 | 455±2 | - | 140±20(fo) 140±20 (fo±4.8) | - | TA31147 |
| JTM455C50 | 455±2 | ±4.0 | 64±6.4 | 4.0 | CXA3117N |

| Part Number | Resonant Frequency (Fr)(kHz) | Antiresonant Frequency (Fa)(kHz) | Band Width Fa-Fr(kHz) | Resonant Resistance (Ω)max | Capacitance pF±20% | ApplicableIC |
|-------------|------------------------------|----------------------------------|-----------------------|----------------------------|--------------------|--------------|
| JTM455C2 | 447.5±1.5 (at Z =2.05kΩ) | 463.0±1.5 (at Z =10kΩ) | | | 140 | TA8104 |
| JTM455C3 | | 455.0±1.5 | 48.0±5.0 | 70 | 600 | CXA1184M |
| JTM455C4 | | 470.0±1.0 | 43.0±2.0 | 300 | 140 | LA8610 |
| JTM455C10 | 429.0±2.0 | | 51.0±5.0 | 70 | 580 | TA8103F |
| JTM455C15 | | 463.5±1.0 | 43.0±2.0 | 300 | 140 | CXA1483M |
| JTM455C25 | | 465.0±1.5 | 45.0±4.0 | 300 | 135 | CXA1484 |

▶ How to Order



① Part Number ② Packaging