



Ceramic Traps

Double Type - XT MW Trap Filters / 陶瓷陷波器

Token XT MW Series consist of 2 wafers with 2 trap frequencies. Recommended for Multi standard set. Features with good performance of attenuation and space saving with 3-terminal type.

▶ XT MW Series (Murata TPWA Series Compatible)

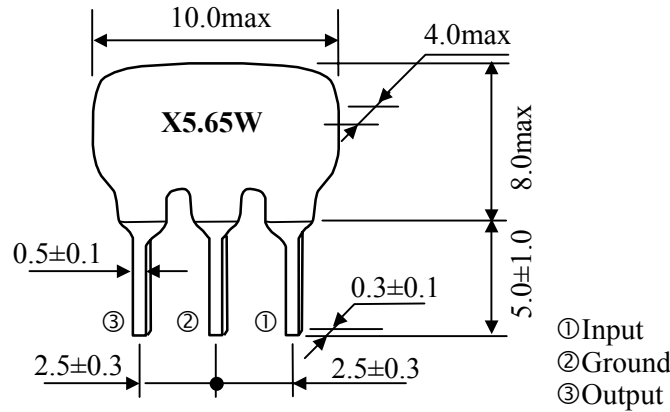
4.5 MHz ~ 6.5 MHz

XT MW Trap Technical Characteristics

Part Number	CenterFrequency (fo1)(MHz)	CenterFrequency (fo2)(MHz)	Attenuation(at fo1)(dB)min	Attenuation(at fo2)(dB)min	30dBAttenuation BW(fo1)(kHz)min
XT4.47MW	4.500	4.724	30	30	50
XT4.60MW	4.500	6.000	30	30	50
XT5.57MW	5.500	5.742	30	30	50
XT5.60MW	5.500	6.000	30	30	50
XT5.65MW	5.500	6.500	30	30	50
XT6.65MW	6.000	6.500	30	30	70

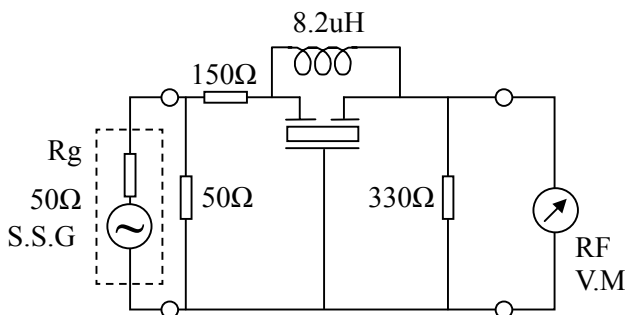
Note : The level at 1MHz shall be made for a reference(0dB).

▶ Ceramic XT MW Series Dimensions

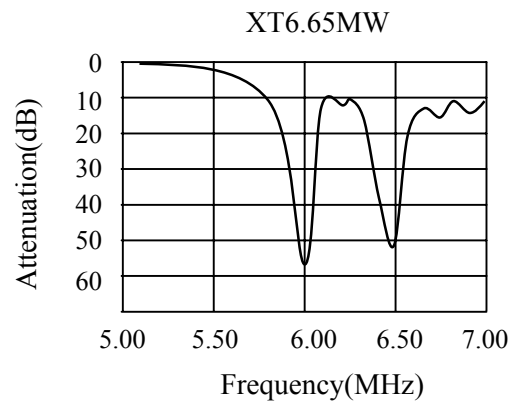


▶ XT MW Trap Test Circuit

XT MW TEST CIRCUIT



XT MW Trap Characteristics



▶ How to Order



- ① Part Number
- ② Packaging