



Filters

Communication LT 455/450 U/W Ceramic Filters / 陶瓷滤波器

LT 455/450 U/W Filter are 4-element and 6-element devices connected in ladder form. These highly selective filters are designed to address the G.D.T. characteristics required in digital communications. The excellent G.D.T. characteristics allow these filters to be utilized in areas such as the mobile cellular markets as well as a variety of stereo applications. (Also available in 450kHz version.)

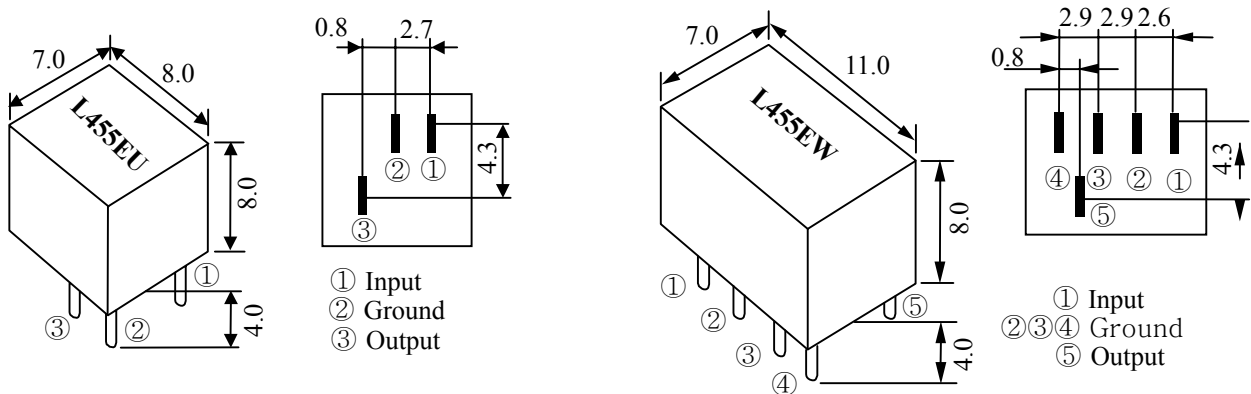
► LT 455/450 U/W for Communication (Murata CF, SF series Compatible) 455 kHz / 450 kHz

Ceramic LT 455/450 U/W Filters Technical Characteristics

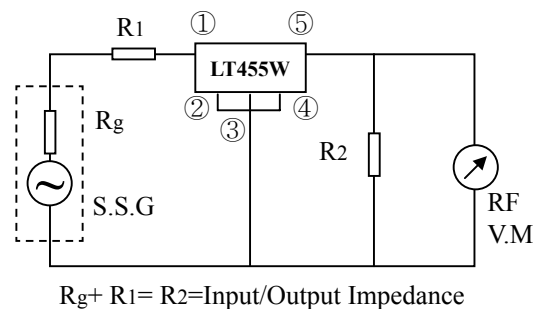
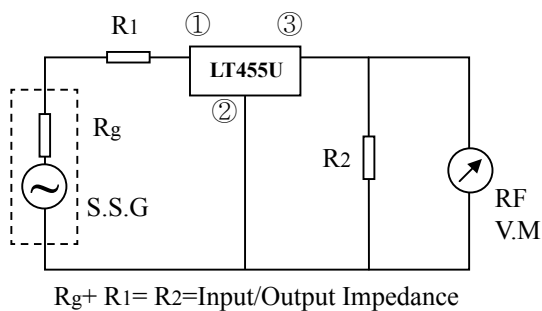
Part Number	Center Frequency (kHz)	Insertion Loss (dB) max	Pass Band Ripple (dB) max	6dB Band Width (kHz) min	40dB Band Width (kHz) max (LT455 U)	50dB Band Width (kHz) max (LT455 W)	Spurious Attenuation $f_{o\pm 100\text{kHz}}$ (dB) min		Input / Output Impedance (Ω)	
							(LT455 U)	(LT455 W)		
LT455AU	LT455AW	455±2.0	4	2	±17.5	±40	±35	28	40	1000
LT455BU	LT455BW	455±2.0	4	2	±15	±30	±30	28	40	1500
LT455CU	LT455CW	455±2.0	4	2	±12.5	±24	±24	28	40	1500
LT455DU	LT455DW	455±1.5	4	2	±10	±20	±20	28	40	1500
LT455EU	LT455EW	455±1.5	6	2	±7.5	±15	±15	28	40	1500
LT455FU	LT455FW	455±1.5	6	2	±6	±12.5	±12.5	28	40	2000
LT455GU	LT455GW	455±1.5	6	2	±4.5	±10	±10	28	40	2000
LT455HU	LT455HW	455±1.0	6	2	±3	±9	±9	28	40	2000
LT455IU	LT455IW	455±1.0	6	2	±2	±7.5	±7.5	28	40	2000
LT455HTU	LT455HTW	455±1.0	6	2 </td <td>±3</td> <td>±9</td> <td>±9</td> <td>35</td> <td>60</td> <td>2000</td>	±3	±9	±9	35	60	2000

● Center frequency 450kHz is also available.

► Ceramic LT 455/450 U/W Filter Dimensions



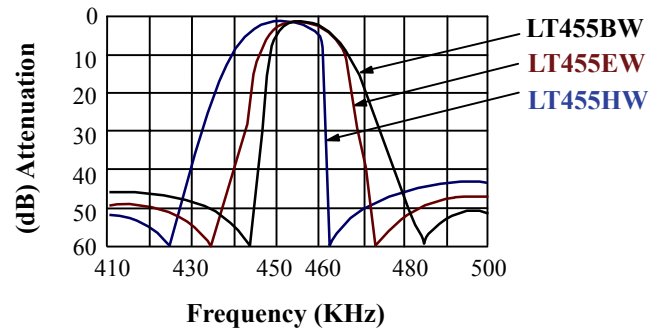
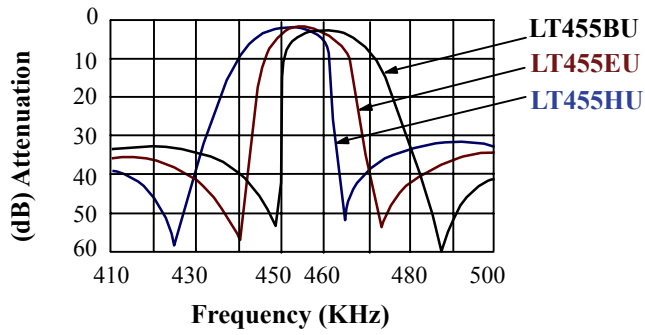
► Ceramic LT 455/450 U/W Filter Test Circuit





Filters

► Ceramic LT 455/450 U/W Filter Characteristics



► How to Order

LT455BU - P
① ②

- ① Part Number
- ② Packaging