



Traps

XT MT Triple Trap Filters / 陶瓷陷波器

Token XT MT Ceramic trap (compatible to Murata TPT) series consist of 3 wafers with 3 trap frequencies. Recommended for Multi standard sets.

► Features

1. Good performance of attenuation
2. Space saving for Multi set
3. Three-terminals type

► XT MT Series (Murata TPT Series Compatible)

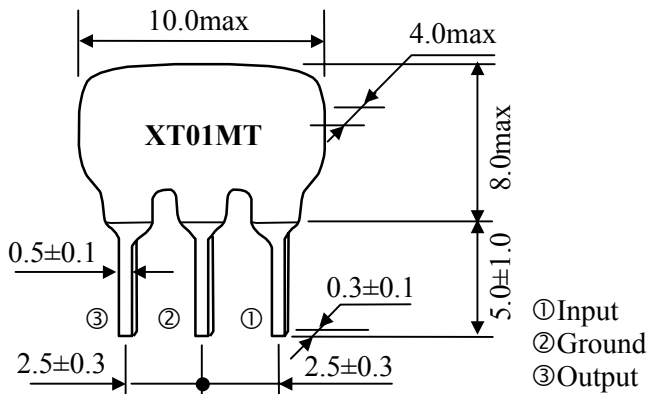
4.5 MHz ~ 6.5 MHz

Ceramic XT MT Trap Technical Characteristics

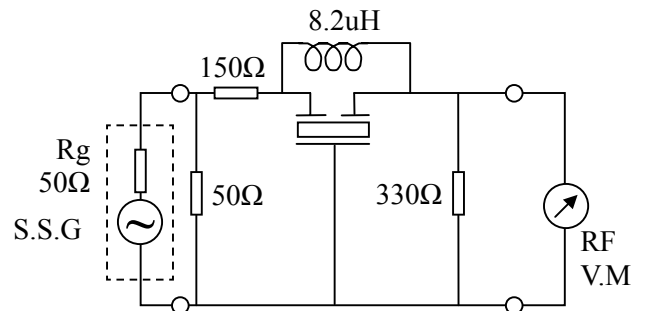
Part Number	Center Frequency (fo1)(MHz)	Center Frequency (fo2)(MHz)	Center Frequency (fo3)(MHz)	Attenuation (at fo1) (dB)min	Attenuation (at fo2) (dB)min	Attenuation (at fo3) (dB)min	30dB Attenuation BW (fo1)(kHz)min
XT01MT	5.500	6.000	6.500	30	30	30	50
XT02MT	5.500	5.742	6.500	30	30	30	50
XT03MT	5.500	5.742	6.000	30	30	30	50

•The level at 1MHz shall be made for a reference (0dB).

► XT MT Traps Dimensions



XT MT Traps Test Circuit



► How to Order



- ① Part Number
- ② Packaging