



# Traps

## TV/VCR Stage - XT MB Trap Filter / 陶瓷陷波器

XT MB Trap are band reject type used for video and sound IF attenuation. The 3 terminal XT MB Series contains 2 elements on one substrate for additional attenuation. XT MB Series can be used in the sound IF of CATV/VCR receivers.

### ▶ XT MB for TV/VCR Stage ( Murata TPS MB Series Compatible )

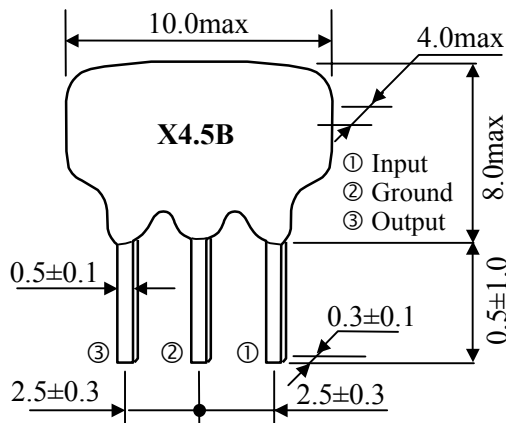
3.58 MHz ~ 6.5 MHz

XT MB Trap Filters Technical Characteristics

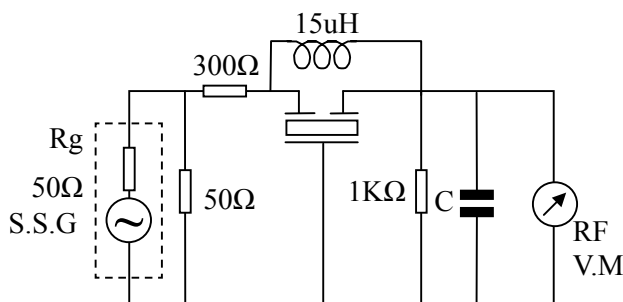
Part Number	Center Frequency (fo1)(MHz)	Attenuation (at fo1)(dB)min	30dB Attenuation BW (fo1)(kHz)min
XT3.58MB	3.580	25	40(25dB Att.BW)
XT4.43MB	4.430	30	50
XT4.5MB	4.500	35	70
XT5.5MB	5.500	35	90
XT5.74MB	5.742	35	90
XT6.0MB	6.000	35	90
XT6.5MB	6.500	35	90

Note: The level at 1MHz shall be made for a reference (0dB).

### ▶ XT MB SERIES DIMENSIONS

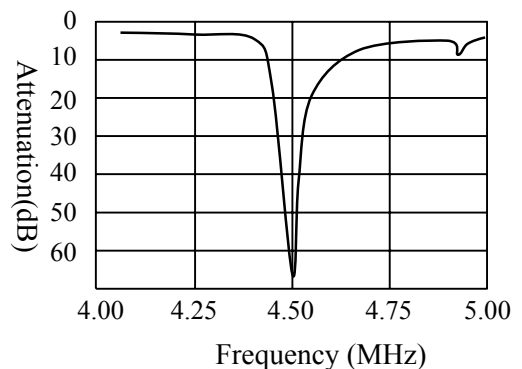


### ▶ XT MB Traps Test Circuit

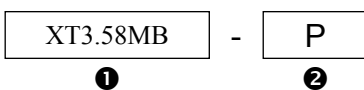


### XT MB Traps Characteristics

XT4.5MB



### ▶ How to Order



- ① Part Number
- ② Packaging