



Resonators

Ceramic Resonators - ZTA Series / 陶瓷谐振器

ZTA (MHz) Resonator cover the frequency range of 1.79 MHz to 60.00 MHz with an initial frequency tolerance $f_0 \pm 0.5\%$. Since the ZTA series utilizes the thickness mode of vibration of the piezoelectric element, there is little dimensional change with frequency. All ZTA are epoxy coated and completely washable. Tape and reel package are both available.

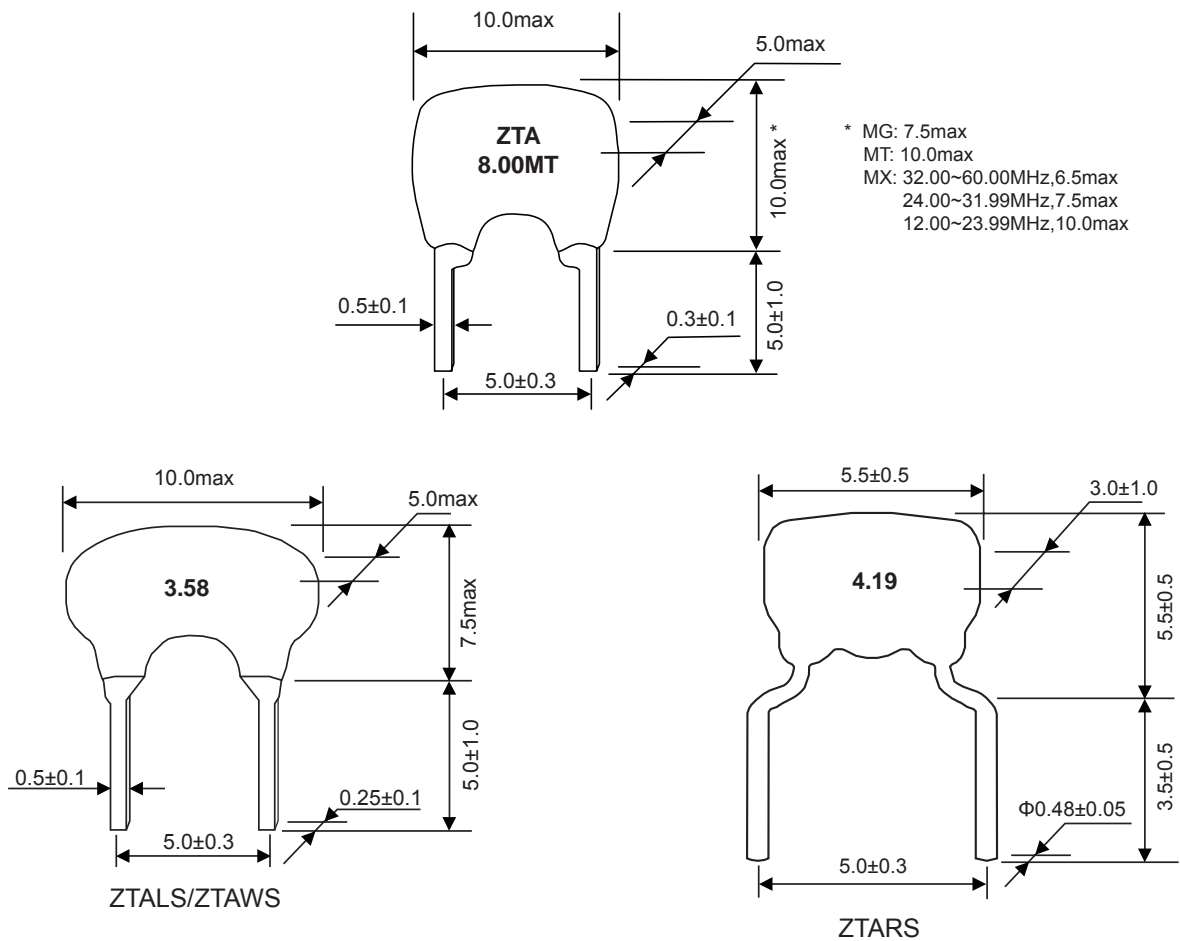
► ZTA (MHz) Compatible to Murata CSA

1.79 - 60.00 MHz

Ceramic ZTA (MHz) Resonators Technical Characteristics

Part Number	Frequency Range(MHz)	Frequency Accuracy(at 25°C) (%)	Stability in Temperature (-20°C ~ +80°C) (%)	Operating Temperature(°C)	Aging For Ten Years (%)
ZTA***MG	1.79 ~ 6.00	± 0.5	± 0.3	-20 ~ +80	± 0.3
ZTAWs***MG	1.79 ~ 6.00	± 0.5	± 0.3	-20 ~ +80	± 0.3
ZTALS***MG	3.00 ~ 8.00	± 0.5	± 0.3	-20 ~ +80	± 0.3
ZTARS***MG	3.00 ~ 10.00	± 0.5	± 0.3	-20 ~ +80	± 0.3
ZTA***MT	6.00 ~ 13.00	± 0.5	± 0.3	-20 ~ +80	± 0.3
ZTA***MX	12.00 ~ 60.00	± 0.5	± 0.3	-20 ~ +80	± 0.3

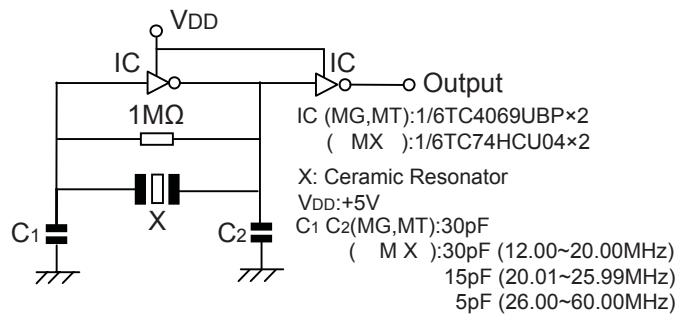
► Ceramic ZTA (MHz) Resonator Dimensions





Ceramic Resonators

► Ceramic ZTA (MHz) Resonator Test Circuit for MOS IC



► How to Order

ZTA8.00MT

①

P

②

① Part Number

② Packaging

Code	Packaging
T	Taping Reel
P	Bulk

