



# Resonators

## ZTBY Ceramic Resonators / 陶瓷谐振器

ZTBY Series Resonator is a surface mountable device unit of ZTB with the frequency range of 375 kHz to 1,250 kHz. Initial frequency tolerance is  $\pm 0.5\%$  which compares very favorably to the nominal  $\pm 2\% \sim \pm 3\%$  requirements of one chip microprocessors. Token ZTBY series utilizes the area vibration mode of the piezoelectric element.

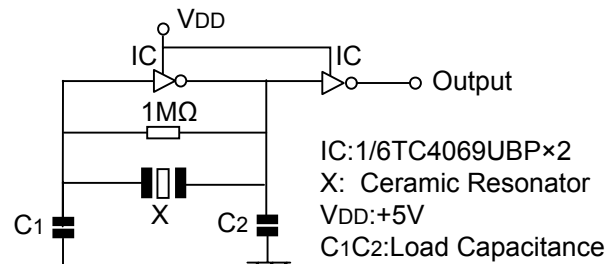
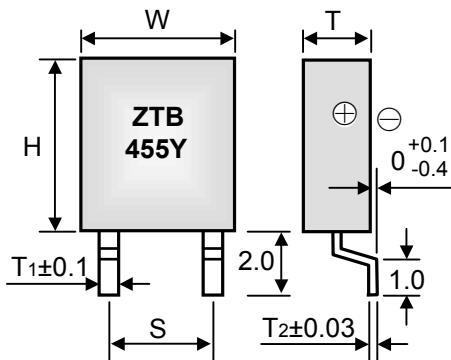
### ► ZTBY ( Murata CSBF Compatible )

**375 - 1250 kHz****Ceramic ZTBY Resonator Technical Characteristics**

Part Number	Frequency Accuracy (at 25°C)	Resonant Impedance ( $\Omega$ )	Stability in Temperature (-20°C ~ +80°C) (%)	Aging For 10 Years(%)	Load Capacitance (pF)	
					C1	C2
ZTB375 ~ 429Y	$\pm 2\text{kHz}$	$\leq 20$	$\pm 0.3$	$\pm 0.3$	120	470
ZTB430 ~ 509Y	$\pm 2\text{kHz}$	$\leq 20$	$\pm 0.3$	$\pm 0.3$	100	100
ZTB510 ~ 699Y	$\pm 2\text{kHz}$	$\leq 30$	$\pm 0.3$	$\pm 0.3$	100	100
ZTB700 ~ 999Y	$\pm 0.5\%$	$\leq 70$	$\pm 0.3$	$\pm 0.3$	100	100
ZTB1000 ~ 1250Y	$\pm 0.5\%$	$\leq 100$	$\pm 0.3$	$\pm 0.3$	100	100

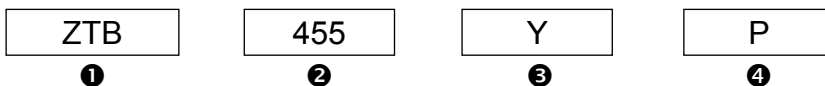
### ► ZTBY Dimensions (Unit: mm Tolerance: $\pm 0.3\text{mm}$ )

### ZTBY Test Circuit



Frequency Range(kHz)	W width	T thickness	H height	S lead space	T1	T2
375~429	8.0	3.5	9.0	5.0	1.0	0.15
430~509	7.5	3.3	8.5	5.0	1.1	0.15
510~699	7.0	3.0	8.5	5.0	1.1	0.15
700~1250	5.0	2.2	6.0	2.5	0.8	0.12

### ► How to Order



- ❶ Part Number
- ❷ Center Frequency (KHz)
- ❸ SMD type
- ❹ Packaging

Code	Packaging
T	Taping Reel
P	Bulk