



SMD Power Inductors

Shielded SMD Power Inductor - TCRH124B/125B/127B Series / 闭磁式贴片功率电感

Shielded SMD Power Inductor Features

- Magnetically shielded construction.
- Compact Size and thin
- Large Current and Low DCR

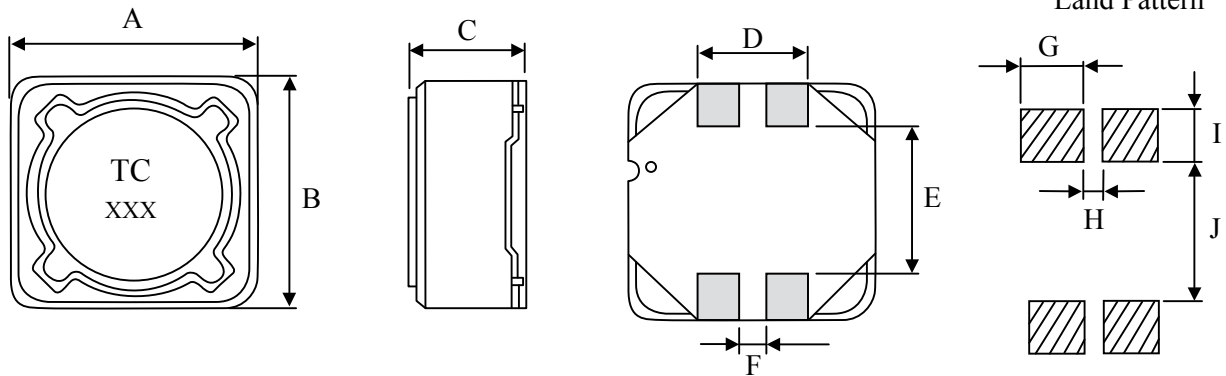
Applications

VTR, OA equipment, LCD television set, Notebook, portable communication equipments, DC/DC converters, etc..

Shielded SMD Power Inductor Dimensions & Configurations

Type	A ± 0.3	B ± 0.3	C(max)	D ± 0.2	E ± 0.2	F ± 0.2	G	H	I	J
TCRH124B	12.2	12.2	4.7	5.0	7.6	1.6	2.0	1.4	2.5	7.2
TCRH125B	12.2	12.2	6.2	5.0	7.6	1.6	2.0	1.4	2.5	7.2
TCRH127B	12.2	12.2	8.0	5.0	7.6	1.6	2.0	1.4	2.5	7.2

Note: Design as Customer's Requested Specifications.



How to Order

TCRH124B - 101 N

① ② ③

① Shielded SMD Power Inductor : TCRH124B, TCRH125B, TCRH127B

② Inductance

③ Tolerance

Code	Type
K	10%
L	15%
M	20%
N	30%

